

# BOWIE POWER STATION UPDATE

Southeast Arizona Transmission Study (SATS)  
Subcommittee Meeting

October 31, 2008



# Interconnection Vicinity



# Bowie Power Station Phase 1 and Completed Tasks

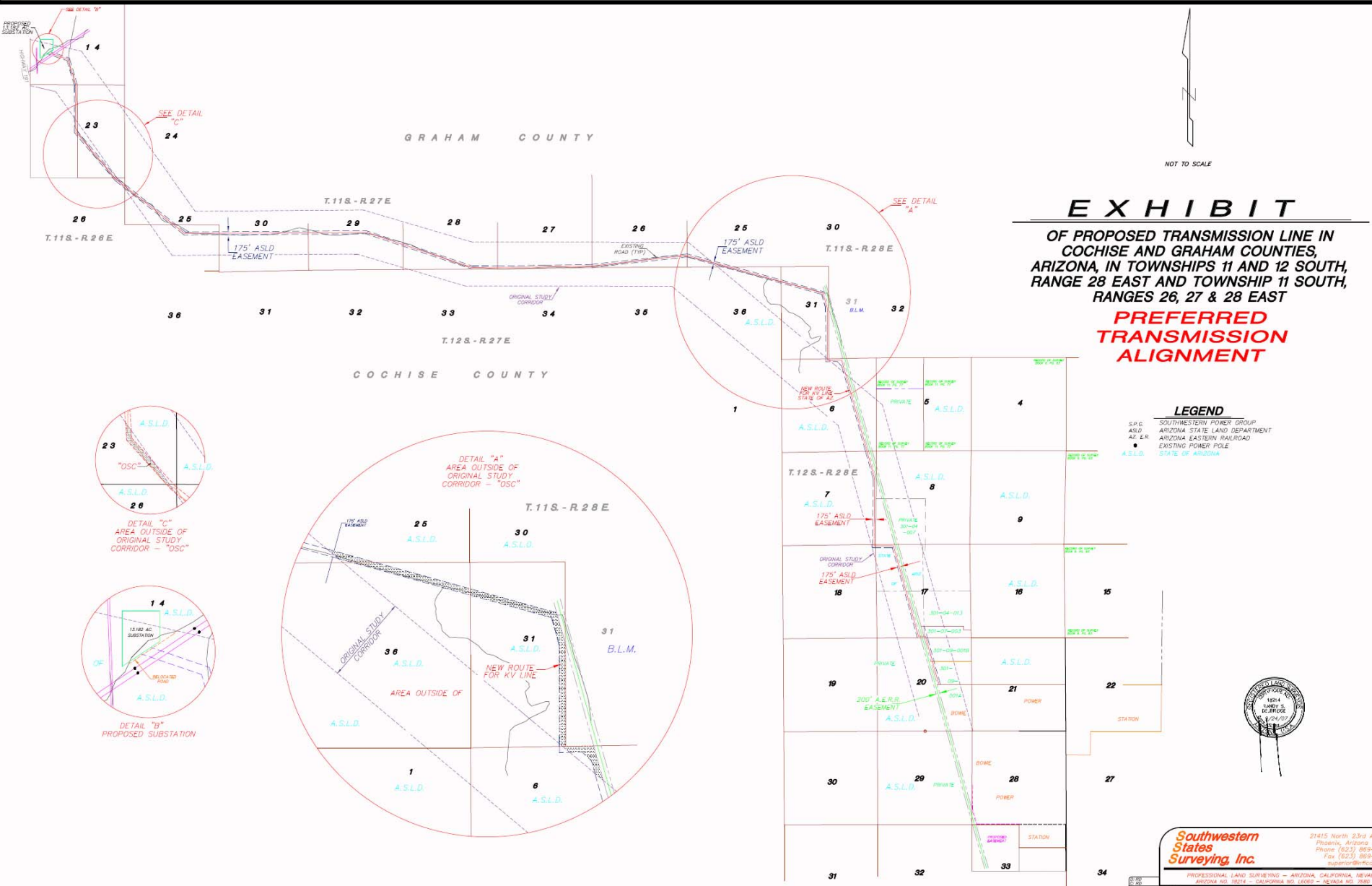


- Location: Bowie, Arizona
- 1,000 MW CCCT Project
- Phase One Project: 500 MW (Two CTs and One STG)
- Interconnection point: Willow Substation loop-in on GreenLee-Winchester 345 kV line
- Planned COD: 2011
- System Impact Study
  - Initiated May 2008
  - Completed September 2008
- CEC Amended by ACC on October 23, 2008 (Order No. 64626) - Adjusted ROW on ASLD lands

# Willow- Bowie Transmission Route

# BOWIE

POWER STATION



## EXHIBIT

OF PROPOSED TRANSMISSION LINE IN COCHISE AND GRAHAM COUNTIES, ARIZONA, IN TOWNSHIPS 11 AND 12 SOUTH, RANGE 28 EAST AND TOWNSHIP 11 SOUTH, RANGES 26, 27 & 28 EAST

**PREFERRED TRANSMISSION ALIGNMENT**

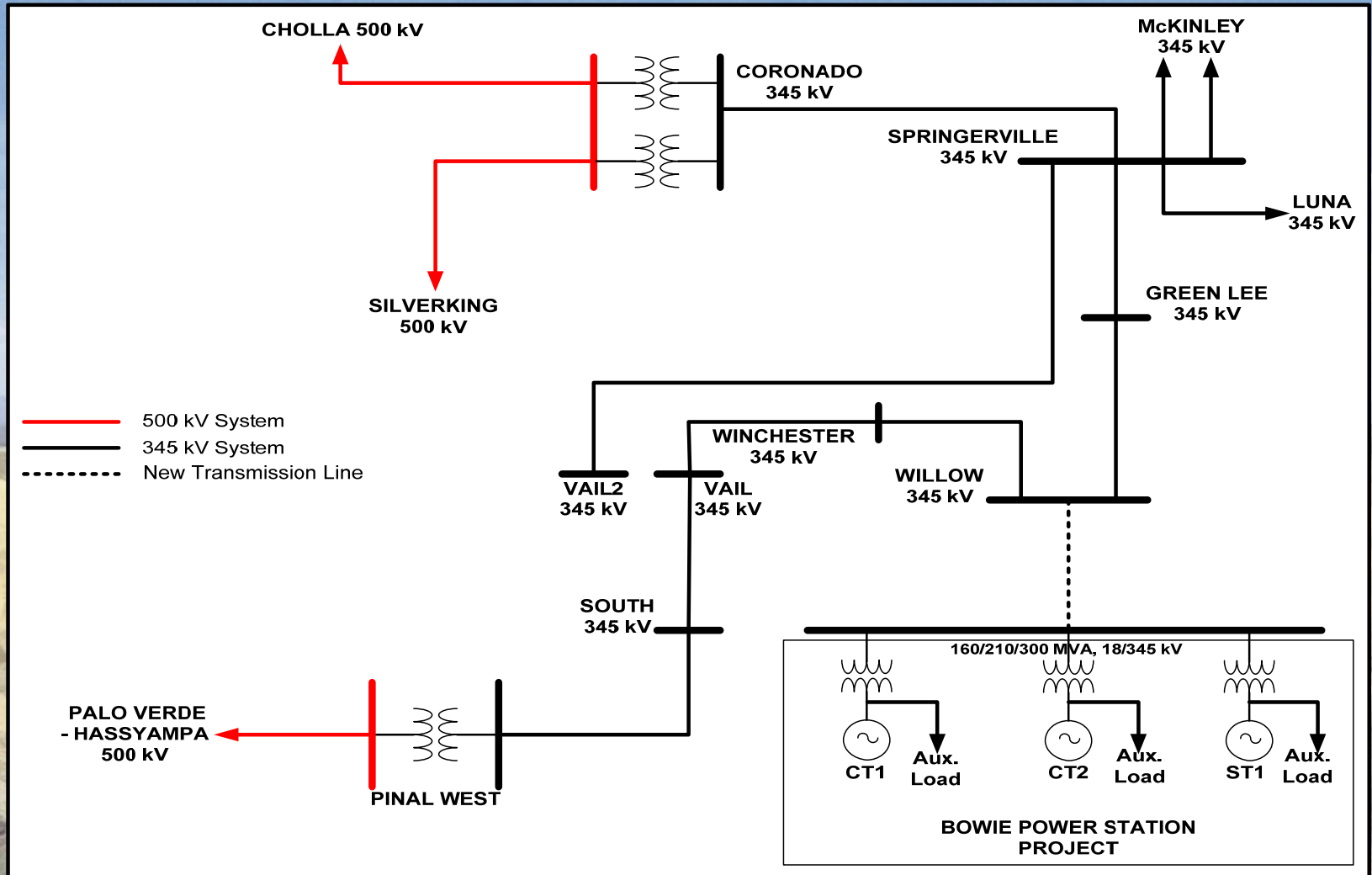
### LEGEND

- S.P.C. SOUTHWESTERN POWER GROUP
- ASLD ARIZONA STATE LAND DEPARTMENT
- AE, ER ARIZONA EASTERN RAILROAD
- EXISTING POWER POLE
- ASLD STATE OF ARIZONA



**Southwestern States Surveying, Inc.**  
 21415 North 23rd Avenue  
 Phoenix, Arizona 85028  
 Phone (623) 869-0200  
 Fax (623) 869-0100  
 Registration: ARIZONA NO. 10974 - CALIFORNIA NO. 10080 - NEVADA NO. 7080

# Conceptual One-line Diagram



# Next Steps

- Finalize Mitigation Requirements for critical contingencies
  - Special Protection Scheme
  - Loop-In of Springerville-Vail Line into Willow Substation for Emergency-Only Operation
- Execute Facilities Study Agreement – 11/2008
- Complete Facilities Study – 1/2009
- Execute Interconnection Agreement – 2/2009

**Website**

**BOWIE**  
POWER STATION

For more information please visit:

[www.bowiepower.com](http://www.bowiepower.com)

# Contacts

Tom Wray

Transmission and  
Generation Manager

[twray@southwesternpower.com](mailto:twray@southwesternpower.com)

602.808.2004 Work

602.808.2099 Fax

505.695.0323 Mobile

Mark L. Etherton

PDS Consulting

[mark@pdsplc.com](mailto:mark@pdsplc.com)

480.838.1427 Work

602.809.0707 Mobile